

TWO WIRE SELF CONTAINED OUTPUT (LOW CURRENT)

Where 2 wire mechanical switches (limit switches) are to be replaced by DC switches without fresh cables, the DC switch must be a two wire switch.

Falls mechanische 2 Draht Schalter durch DC Schalter zu ersetzen sind, (ohne neue Verkabelung) kommen nur 2 Draht DC Schalter in Frage. Ein eingebauter Schalter ermöglicht das Umschalten vom Schliesser auf öffener Kontakt.



CE

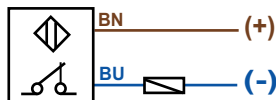
Model

NJ 4-12 GM ZO

Feature

4 mm Sensing Range
2 wire DC

Connection Diagram

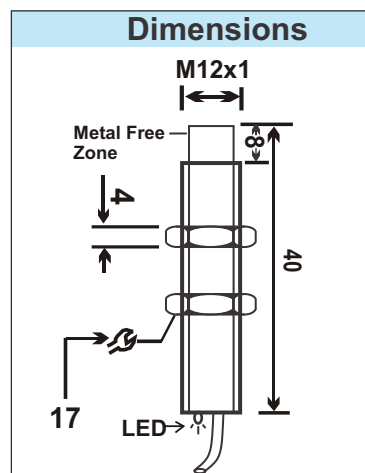
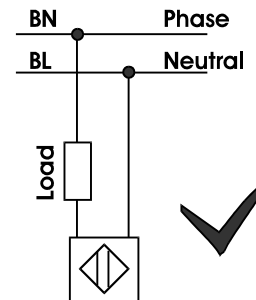
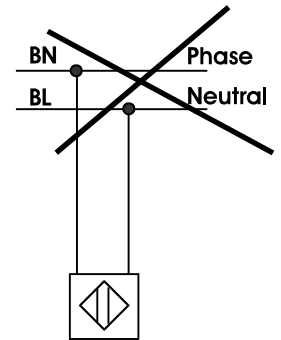


For ZO Type

NON FLUSH

Metal Housing
PVC Cable 2 m, 0.14mm²
LED, IP-67 Protection
Temperature : -20 to +70°C

Do not connect Proximity switch to AC mains without a load.

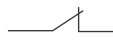


Technical Data

Operating Voltage	5-40 VDC
Assured operat.dist. S a [mm]	0 ...3.24
Continuous Load Current	2- 50 mA
Current Consumption	<1mA
Voltage Drop.	<5V
Standard Target(Ferrous) - mm	12 x 12 x 1
Switching Hysteresis	<5%
Switching Frequency	1.0 KHz
EMC Test	IEC 801

Ordering Chart

TWO WIRE DC(NC)



NJ 4-12 GM ZO

(Art.No. SID 101 M2)

AS THE MARKET REQUIRES A CONTINUOUS UPDATE / IMPROVEMENT DATA IS SUBJECT TO CHANGE WITHOUT NOTICE.

Osna Electronics Pvt. Ltd. was earlier P and F Electronics P. Ltd., founded in the year 1985 as a joint venture up-to 1990 with M/s. Pepperl + Fuchs GmbH, Germany.